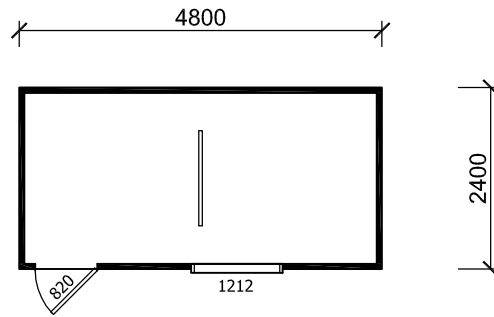


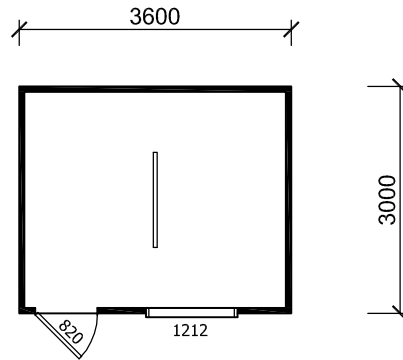
Office Buildings - Standard Floor Plans



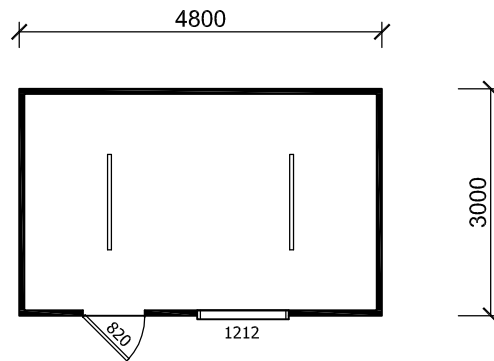
Marathon
GROUP



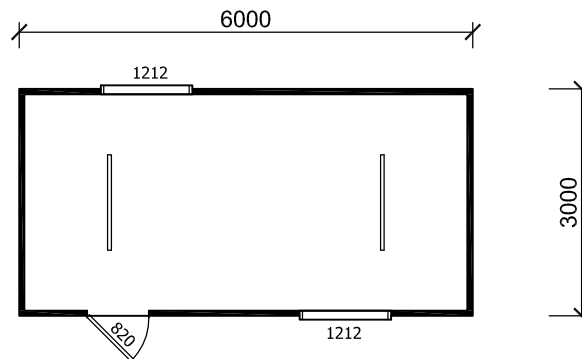
OFFICE 01 - 4.8m x 2.4m



OFFICE 02 - 3.6m x 3.0m



OFFICE 03 - 4.8m x 3.0m

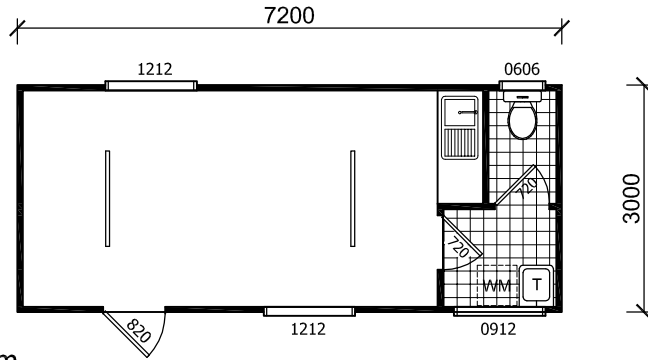


OFFICE 04 - 6.0m x 3.0m

DRAWING No: **MG001**

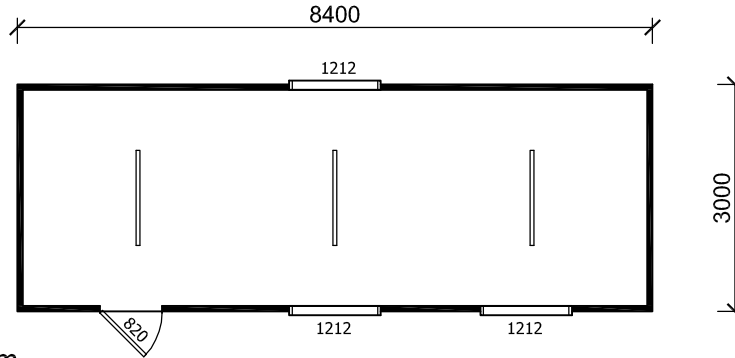
Marathon Group P.O Box 3146 Singleton NSW 2330
ph 02 6575 2900 fax 02 65724191
email info@marathonequipment.com.au
website www.marathonequipment.com.au

Office Buildings - Standard Floor Plans

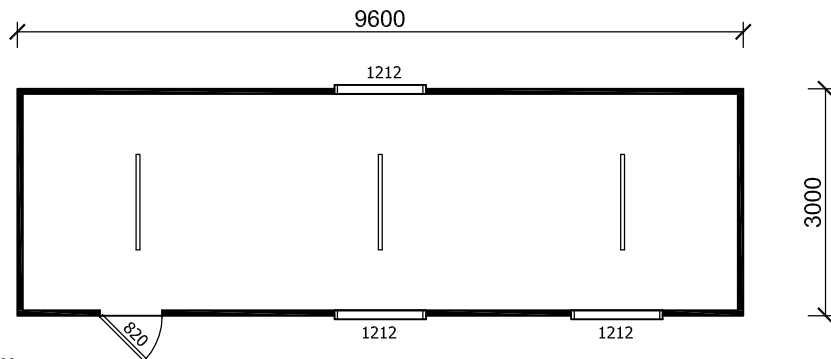


OFFICE 05 - 7.2m x 3.0m

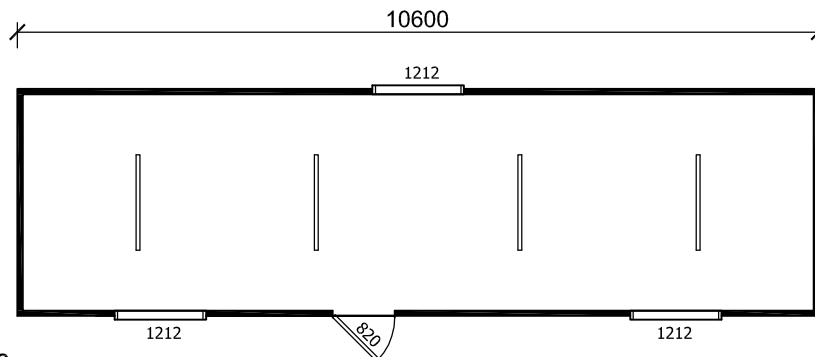
(with Amenities)



OFFICE 06 - 8.4m x 3.0m



OFFICE 07 - 9.6m x 3.0m



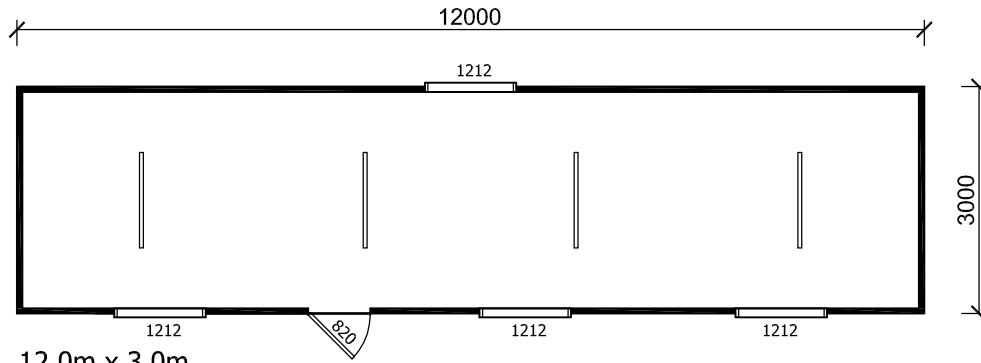
OFFICE 08 - 10.6m x 3.0m

DRAWING No: **MG002**

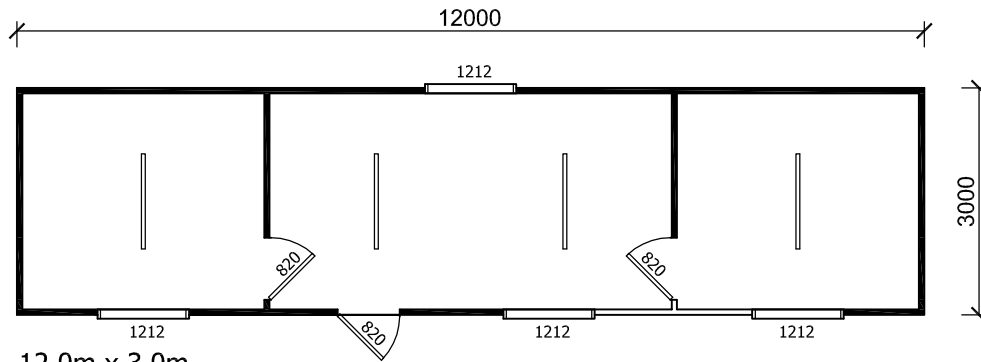
Office Buildings - Standard Floor Plans



Marathon
GROUP

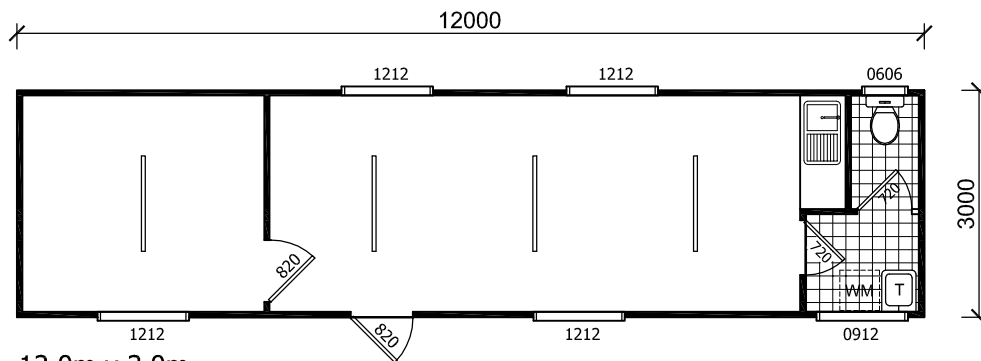


OFFICE 09 - 12.0m x 3.0m



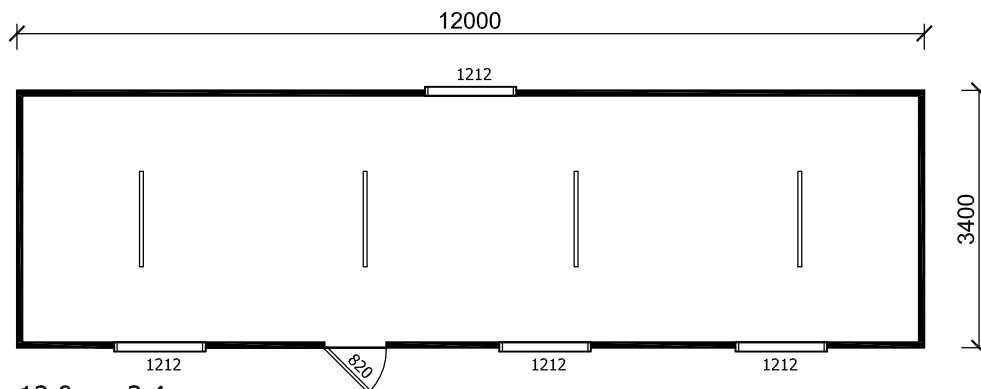
OFFICE 10 - 12.0m x 3.0m

(3 ROOM)



OFFICE 11 - 12.0m x 3.0m

(2 ROOM & AMENITIES)



OFFICE 12 - 12.0m x 3.4m

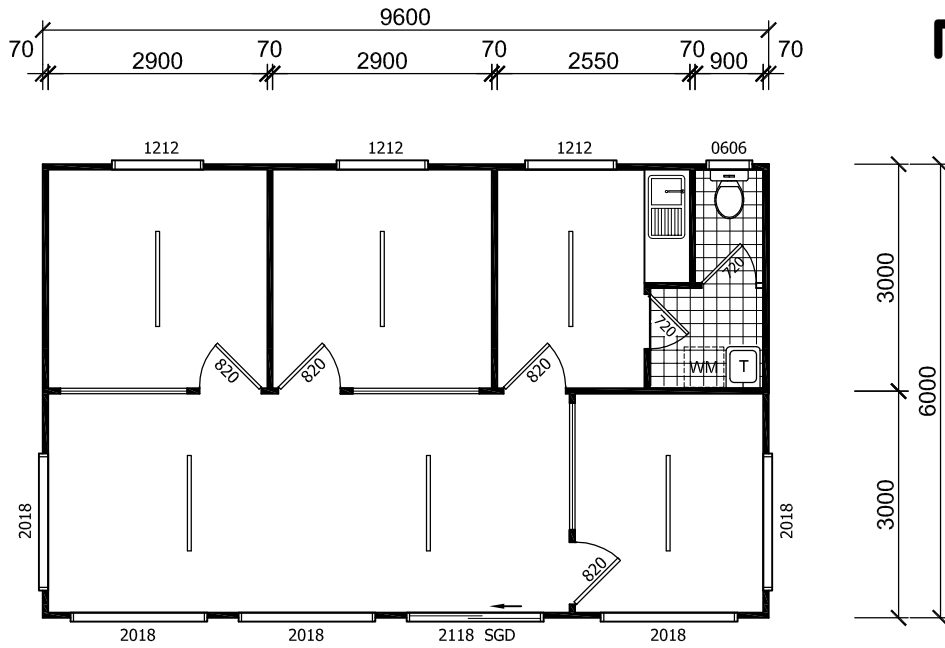
DRAWING No: **MG003**

Marathon Group P.O Box 3146 Singleton NSW 2330
ph 02 6575 2900 fax 02 65724191
email info@marathonequipment.com.au
website www.marathonequipment.com.au

Office Complexes - Standard Floor Plans

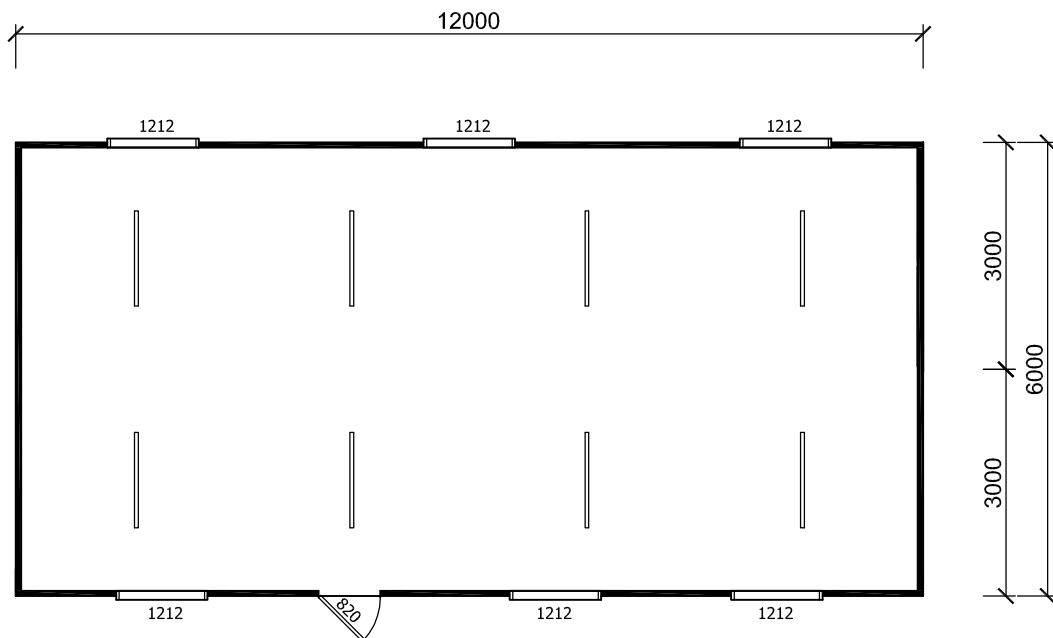


Marathon
GROUP



OFFICE COMPLEX 01 - 9.6m x 6.0m

(5 ROOM & AMENITIES)



OFFICE COMPLEX 02 - 12.0m x 6.0m

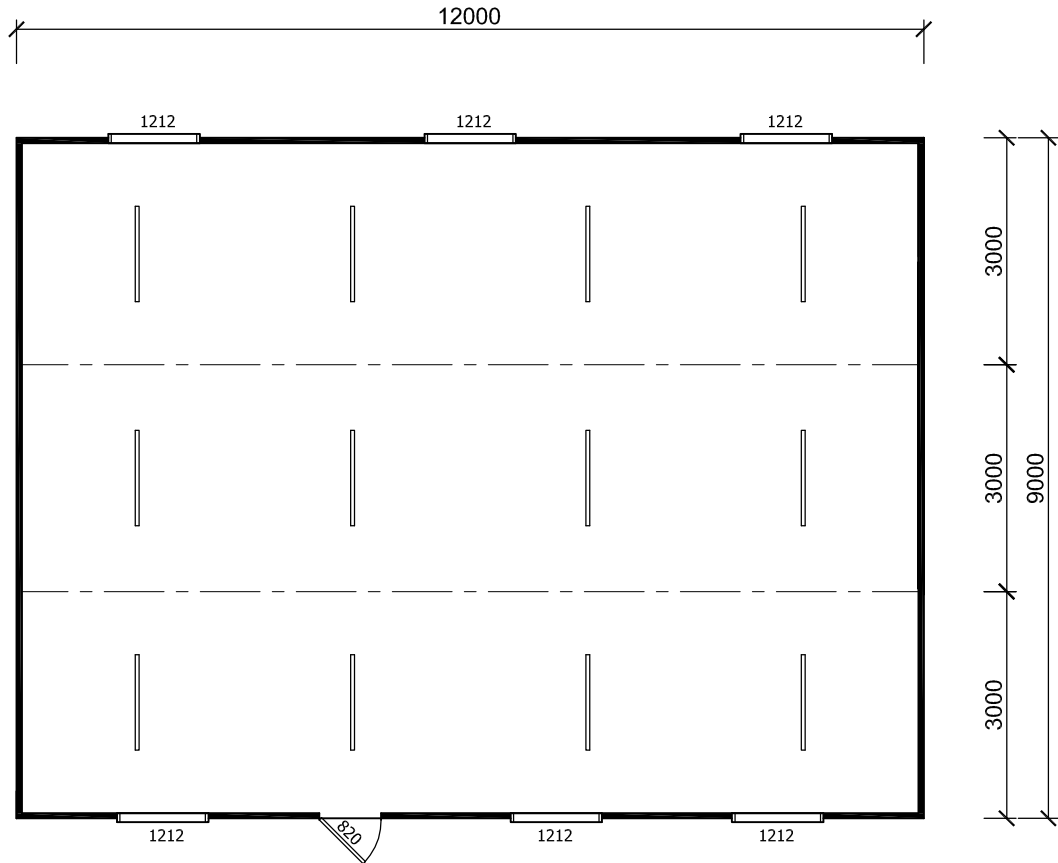
DRAWING No: **MG004**

Marathon Group P.O Box 3146 Singleton NSW 2330
 ph 02 6575 2900 fax 02 65724191
 email info@marathonequipment.com.au
 website www.marathonequipment.com.au

Office Complexes - Standard Floor Plans



Marathon
GROUP



OFFICE COMPLEX 03 - 12.0m x 9.0m

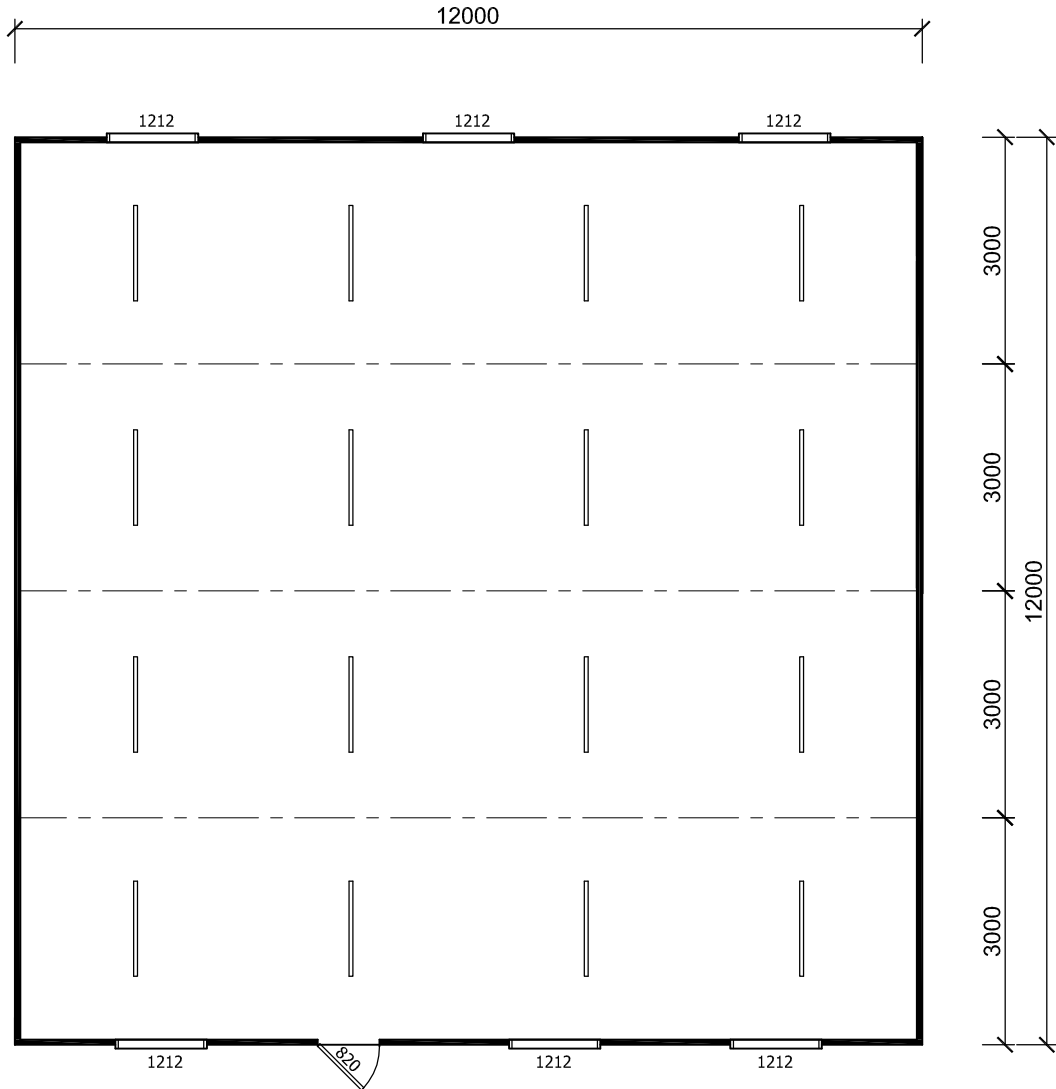
DRAWING No: **MG005**

Marathon Group P.O Box 3146 Singleton NSW 2330
ph 02 6575 2900 fax 02 65724191
email info@marathonequipment.com.au
website www.marathonequipment.com.au

Office Complexes - Standard Floor Plans



Marathon
GROUP



OFFICE COMPLEX 04 - 12.0m x 12.0m

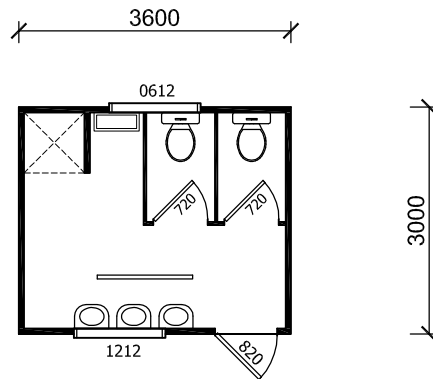
DRAWING No: **MG006**

Marathon Group P.O Box 3146 Singleton NSW 2330
ph 02 6575 2900 fax 02 65724191
email info@marathonequipment.com.au
website www.marathonequipment.com.au

Ablution Buildings - Standard Floor Plans

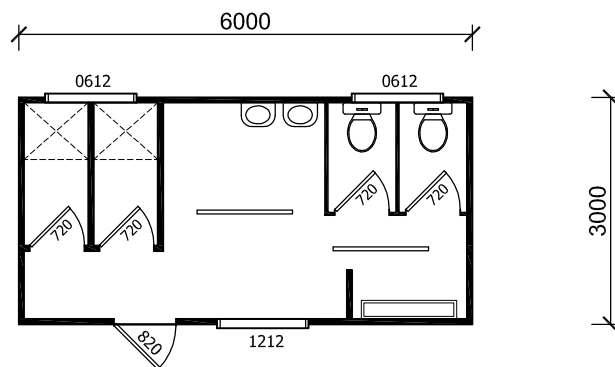


Marathon
GROUP



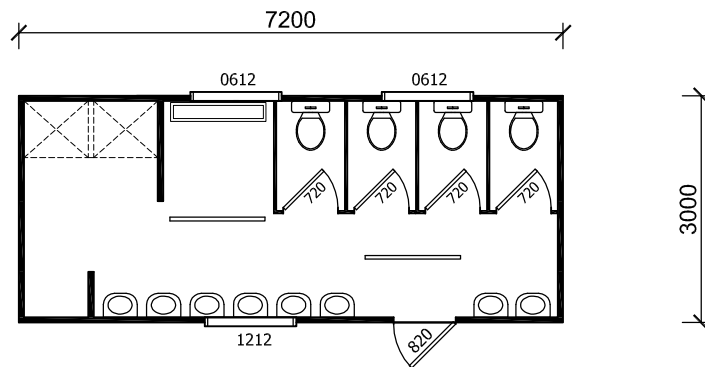
ABLUTION BLOCK 01 - 3.6m x 3.0m

(MALE)



ABLUTION BLOCK 02 - 6.0m x 3.0m

(2 SHOWER)



ABLUTION BLOCK 03 - 7.2m x 3.0m

(MALE)

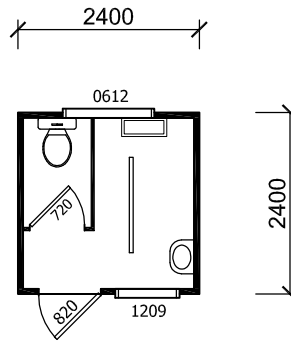
DRAWING No: **MG007**

Marathon Group P.O Box 3146 Singleton NSW 2330
ph 02 6575 2900 fax 02 65724191
email info@marathonequipment.com.au
website www.marathonequipment.com.au

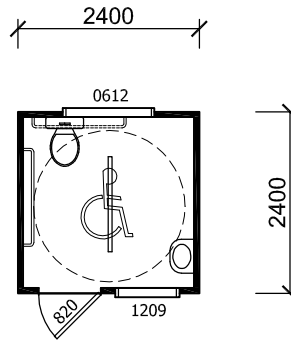
Toilet Buildings - Standard Floor Plans



Marathon
GROUP

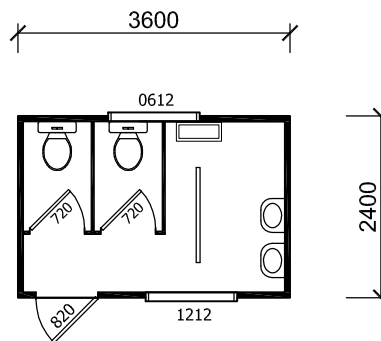


TOILET BLOCK 01 - 2.4m x 2.4m



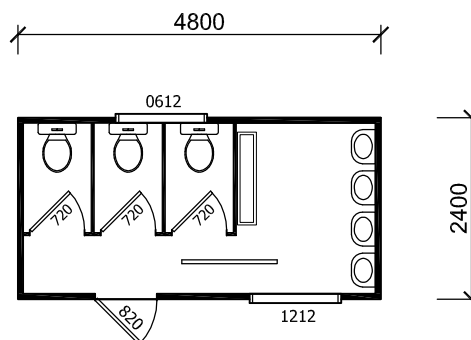
TOILET BLOCK 02 - 2.4m x 2.4m

(ACCESSIBLE)



TOILET BLOCK 03 - 3.6m x 2.4m

(MALE)



TOILET BLOCK 04 - 4.8m x 2.4m

(MALE)

DRAWING No: **MG008**

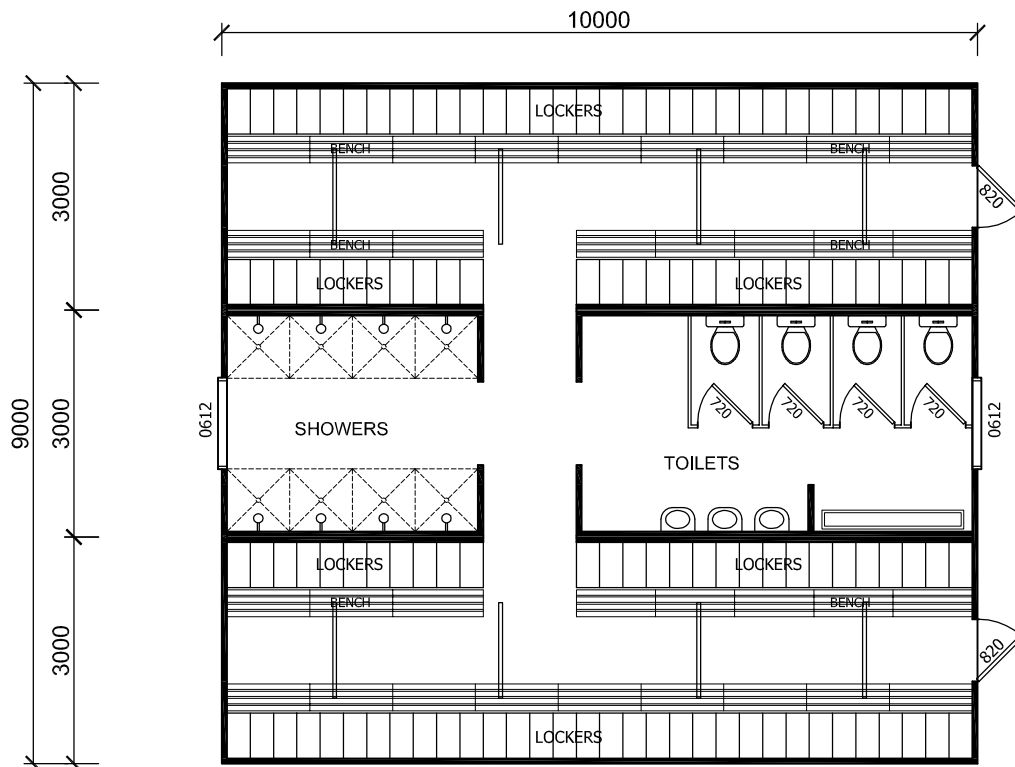
Marathon Group P.O Box 3146 Singleton NSW 2330

ph 02 6575 2900 fax 02 65724191

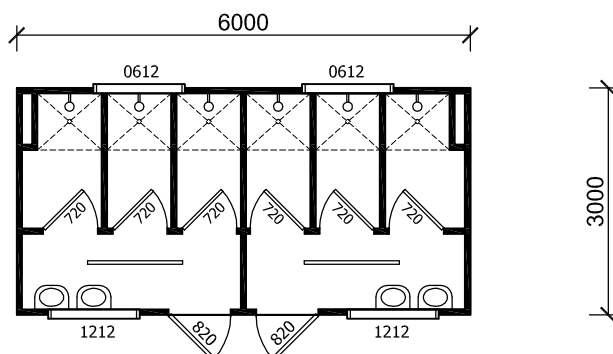
email info@marathonequipment.com.au

website www.marathonequipment.com.au

Bathroom Buildings - Standard Floor Plans

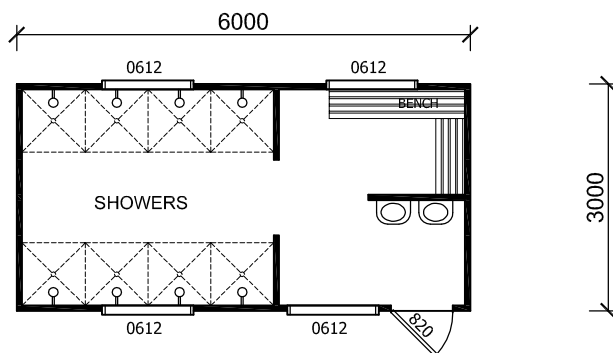


BATHHOUSE 01 - 10.0m x 9.0m



BATHHOUSE 02 - 6.0m x 3.0m

(MALE & FEMALE - SHOWERS)



BATHHOUSE 03 - 6.0m x 9.0m

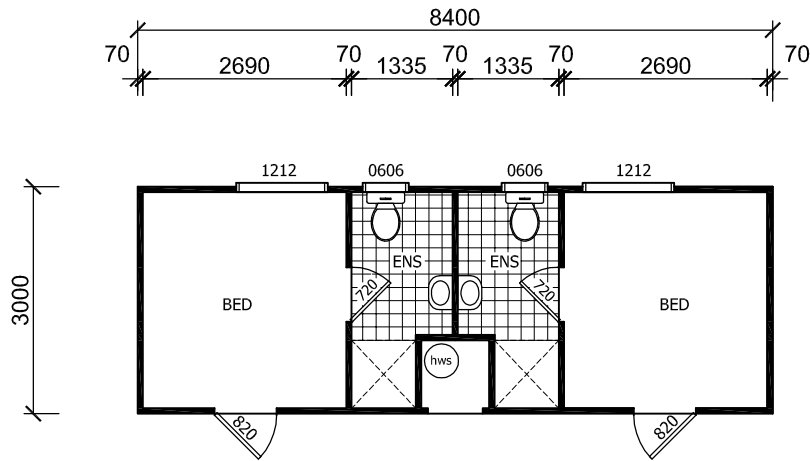
DRAWING No: **MG009**

Marathon Group P.O Box 3146 Singleton NSW 2330
 ph 02 6575 2900 fax 02 65724191
 email info@marathonequipment.com.au
 website www.marathonequipment.com.au

Accommodation Buildings - Standard Floor Plans

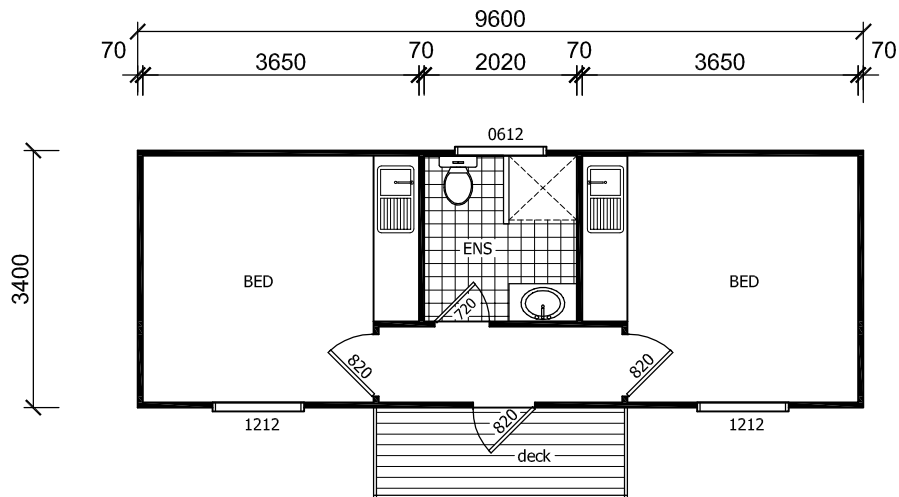


Marathon
GROUP



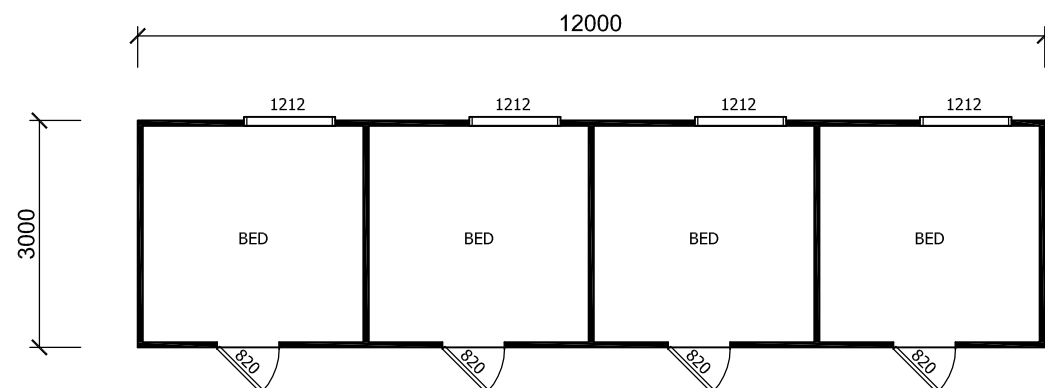
ACCOMMODATION UNIT 01

8.4m x 3.0m - (2 ROOM)



ACCOMMODATION UNIT 02

9.6m x 3.4m - (2 ROOM)



ACCOMMODATION UNIT 03

12.0m x 3.0m - (4 ROOM)

DRAWING No: **MG010**

Marathon Group P.O Box 3146 Singleton NSW 2330

ph 02 6575 2900 fax 02 65724191

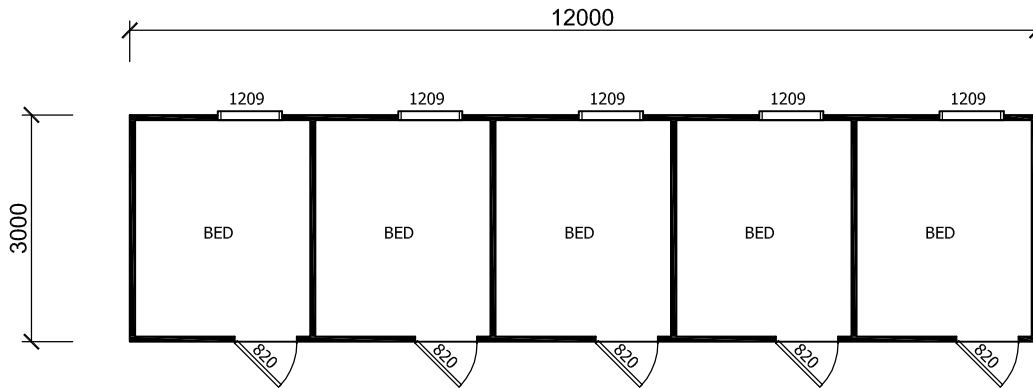
email info@marathonequipment.com.au

website www.marathonequipment.com.au

Accommodation Buildings - Standard Floor Plans

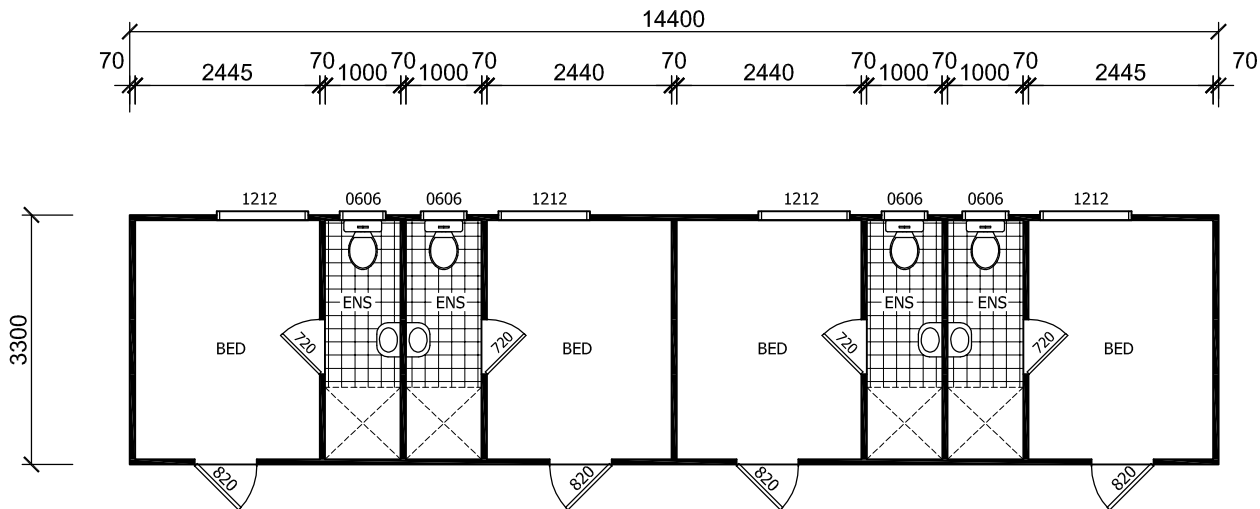


Marathon
GROUP



ACCOMMODATION UNIT 04

12.0m x 3.0m - (5 ROOM)



ACCOMMODATION UNIT 05

14.4m x 3.3m - (4 ROOM)

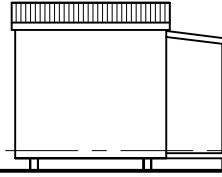
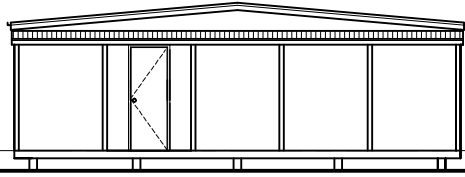
DRAWING No: **MG011**

Marathon Group P.O Box 3146 Singleton NSW 2330
ph 02 6575 2900 fax 02 65724191
email info@marathonequipment.com.au
website www.marathonequipment.com.au

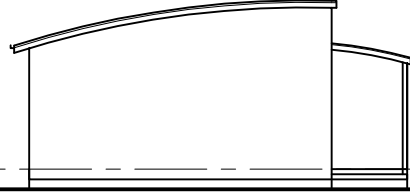
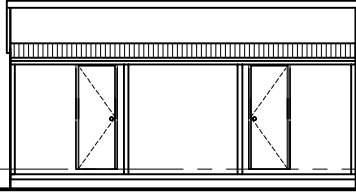
Standard Roof Styles



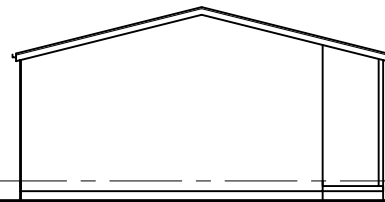
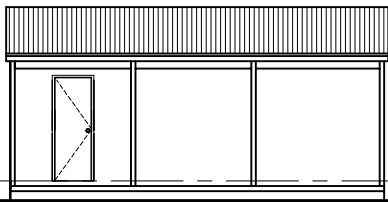
Marathon
GROUP



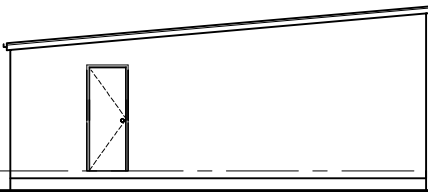
STANDARD CENTRE PITCH ROOF



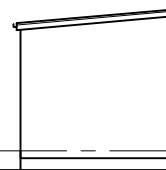
CURVED ROOF



RAKED ROOF



END SLOPE ROOF



SIDE SLOPE ROOF

DRAWING No: **MG012**

Marathon Group P.O Box 3146 Singleton NSW 2330

ph 02 6575 2900 fax 02 65724191

email info@marathonequipment.com.au

website www.marathonequipment.com.au